

Single pit with roof super
structure model

MODEL-1

HOLLOW BLOCKS (4X3) Rough stone pit

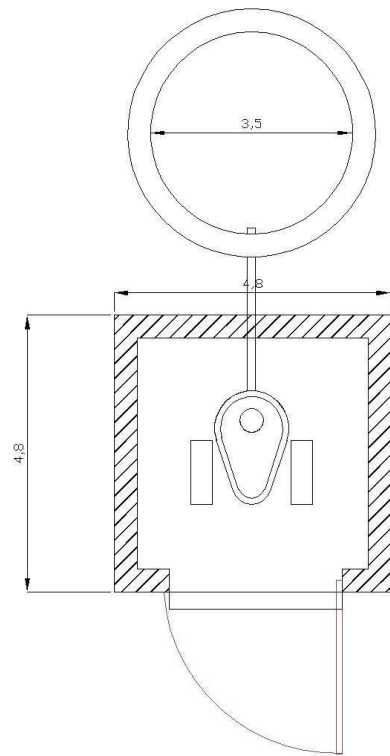
- Ac sheet roof – tin sheet door.
- Leach pit with rough stone and structure with hollow blocks.

Materials

1.	Hollow bricks	70x18 =	1260
2.	Cement	02x 320=	640
3.	Pan or basin	1x200=	200
4.	PVC pipe	4' x25=	100
5.	Sand	1/2x600=	300
6.	Rough stone	1x500=	500
7.	Ventilator	1x50=	050
8.	Door	1x600=	600
9.	AC sheet	1x250=	250
10.	Mason charge	2x500 =	1000







floor plan

MODEL-2

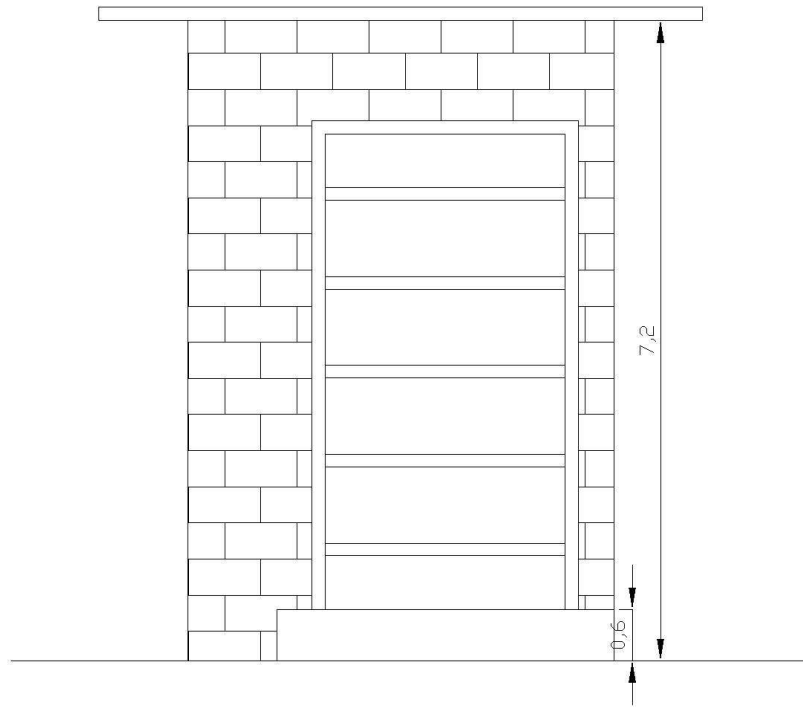
HOLLOW BLOCKS (4X3) Ring pit

- Ac sheet roof – tin sheet door.
- Leach pit with ring.

Materials

- | | | |
|----|---------------|---------|
| 1. | Hollow bricks | 70x18 = |
| | 1260 | |
| 2. | Cement | 2x 320= |
| | 640 | |
| 3. | Pan or basin | 1x200= |
| | 200 | |



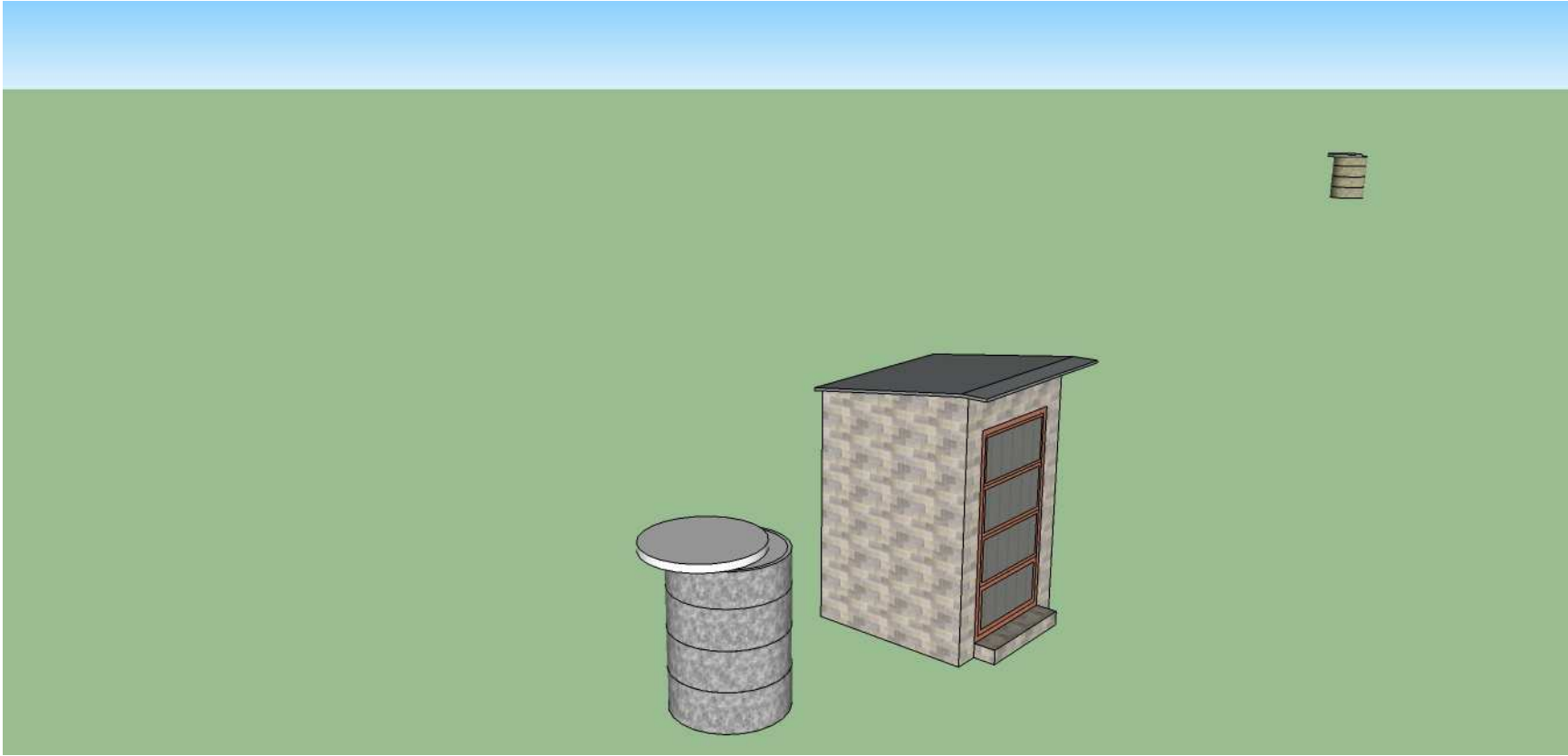


Elevation

Ac sheet







MODEL-2 HOLLOW BLOCKS (4X3) Ring pit



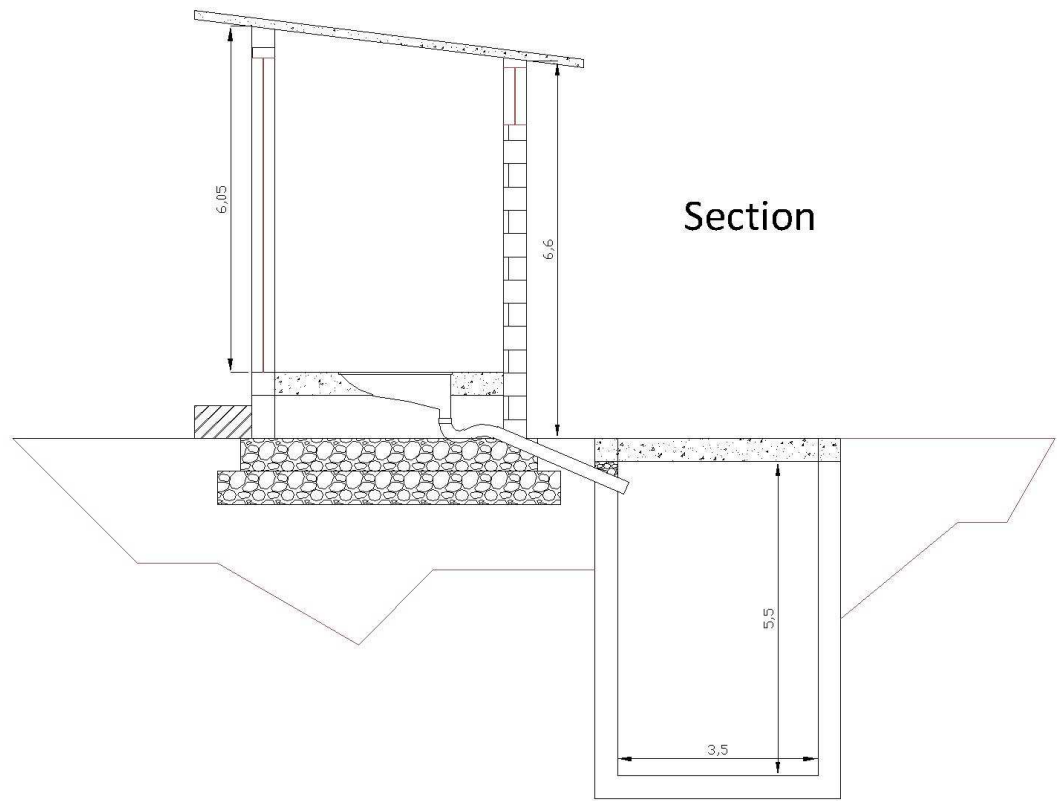
MODEL-3 (4X4)

HOLLOW BLOCKS ,Rough stone pit

- Slab roof – Tin sheet door
- Leach pit with rough stone and structure with hollow blocks.

Materials

1.	Hollow bricks	85x18 =	1530
2.	Cement	2x 320=	640
3.	Pan or basin	1x200=	200
4.	PVC pipe	4' x25=	100
5.	Sand	1/2x600=	300
6.	Rough stone	1x500=	500
7.	Ventilator	1x50=	50
8.	Door	1x600=	600
9.	Roof slab	2x300=	600
10.	Mason charge	2x500 =	1000



Section

MODEL-4 (4X4)

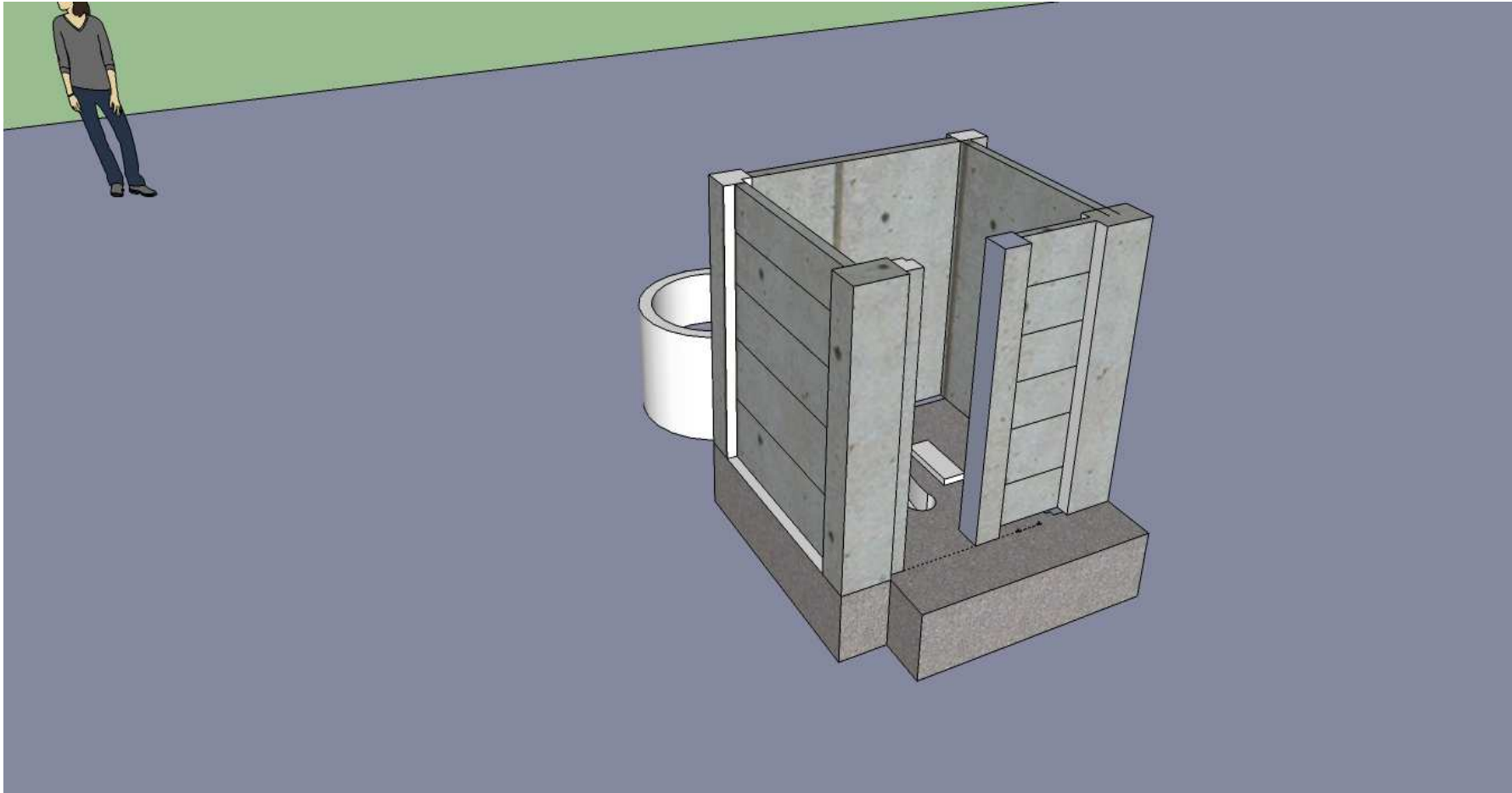
Slab Structure with Pillar Ring Pit

- Slab roof – Tin sheet door
- Leach pit with Ring

Materials

1.	Slab (1x4)	15x180=	2700
2.	Mini slab(1x2)	5x150=	750
3.	Pillar (1x6)	5x300=	1500
4.	Cement (half bag)	½ x320=	160
5.	Pan or basin	1x200=	200
6.	PVC pipe	4' x25=	100
7.	Sand	1x100=	100
8.	Ring	5x300=	1500
9.	Door	1x600=	600
10.	Slab roof	2x300=	600
11.	Mason charge	1x500 =	500

Slab model toilet(4x4)



Merit and Demerits

MERITS

- Sustainability
- Cost effective
- Utilization of locally available materials
- Reduction of open defecation
- Increase of Health/hygiene practice
- Clean environment
- Reduction of pollution
- Lesser space usage

DEMERITS

- Not recommended for hilly, rocky and wet areas
- Unsuitable for water scarce area
- Not easily usable for physically handicapped
- Possibilities of water pollution

INNOVATION

- If it is used in UGD form or model in rural areas this can be connected to BIO GAS plants , which will be useful for cooking and lighting purposes.
- Barrels(500 litres) can be used instead of leach pits.

